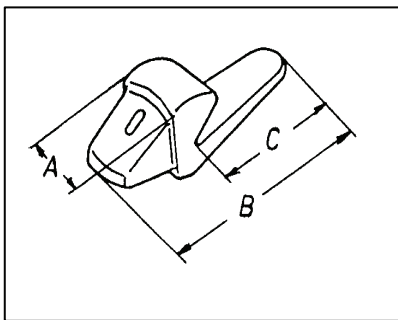
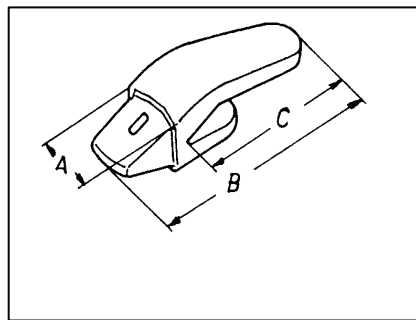


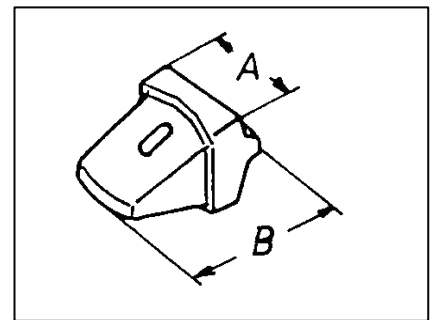
Tand ADAPTERS TYPE ESCO



1)



2)



3)

Peters REF.	TYPE	AFMETINGEN			MESDIKTE	TANDTYPE
		A	B	C		
855.25	1	73	213	117	25	25S/ 25T
855.30	1	92	224	125	25/ 30	30S/ 30T/ 30R
3807.30	2	87	318	218	30	30S/ 30T/ 30R
3803.35	1	101	326	213	35	35S/ 35T/ 35R
3808.35	2	101	340	213	35	35S/ 35T/ 35R
3803.40	1	112	396	253	40	40S/ 40R
3809.40	2	120	396	272	40	40S/ 40R
3810.45	2	122	450	290	45	45R
WN 25	3	78	116			
WN 30	3	86	118			
WN 35	3	102	135			
WN 40	3	114	150			
WN 45	3	127	176			
WN 50	3	140	187			