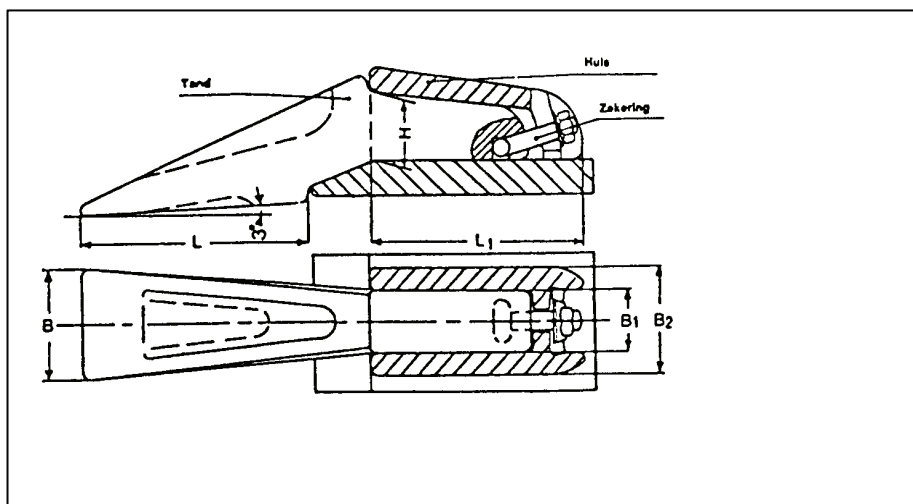


SHOVELBAKTANDEN TYPE FN



Peters REF.	AFMETINGEN						MESDIKTE	HULS	ZEKERING
	L	B	H	B1	B2	L1			
3.000 FN 300 H	115	65	34	34	62	119	20	300 H	5 S
4.000 FN 400 H	165	80	40	40	72	150	20/ 25	400 H	10 S
5.000 FN 500 H	165	80	50	45	79	160	25	500 H	10 S
7.500 FN 750 H	190	90	50	50	84	185	30/ 32	750 H	15 S
10.000 FN 1.000 H	210	95	60	57	102	205	35/ 40	1.000 H	20 S
15.500 FN 1.550 H	195	120	66	66	117	223	40/ 45	1.550 H	20 S